

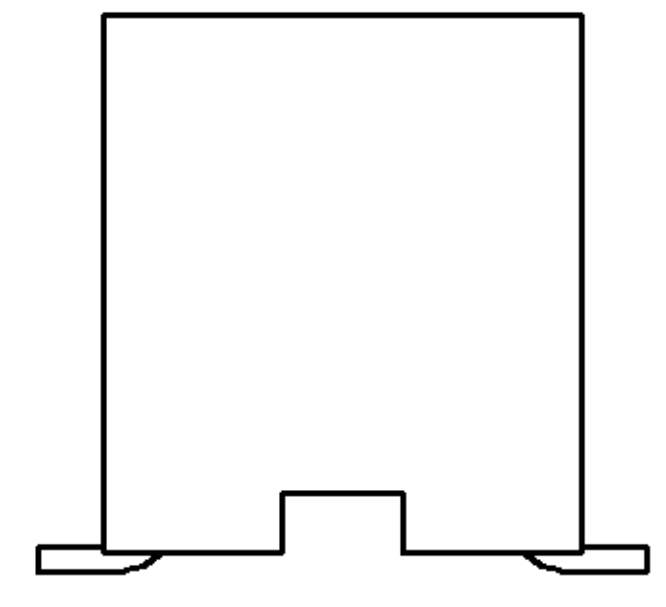
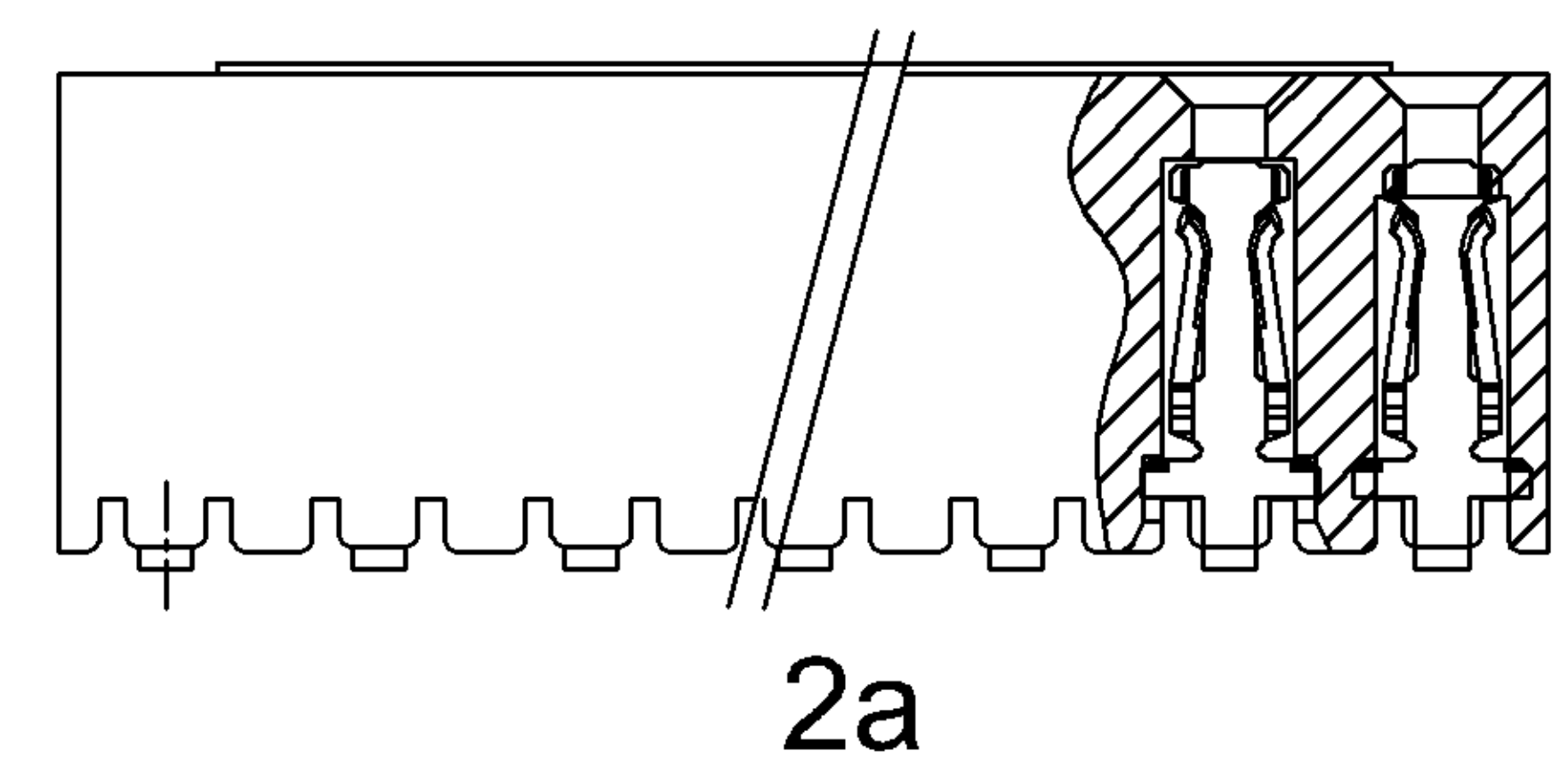
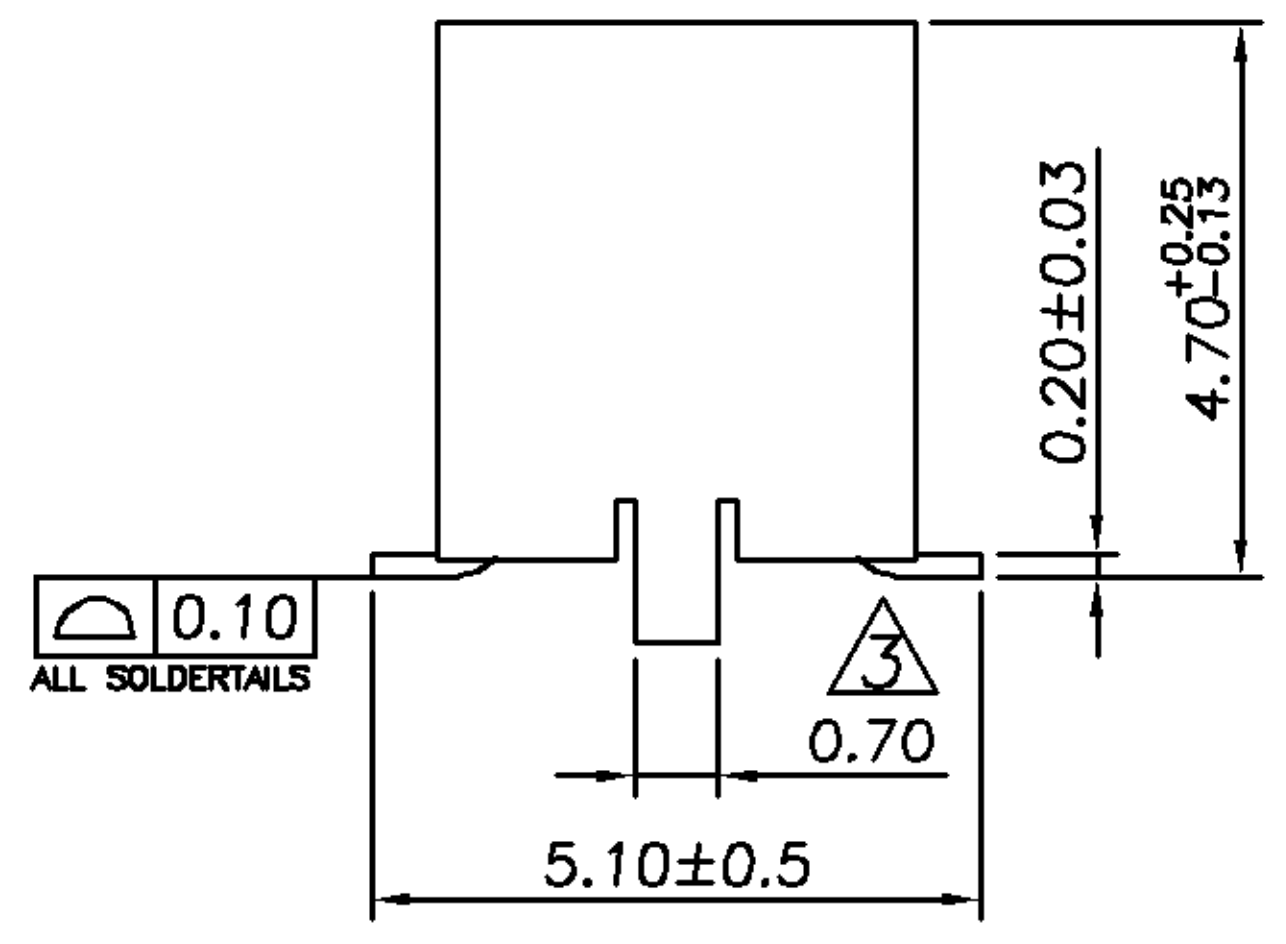
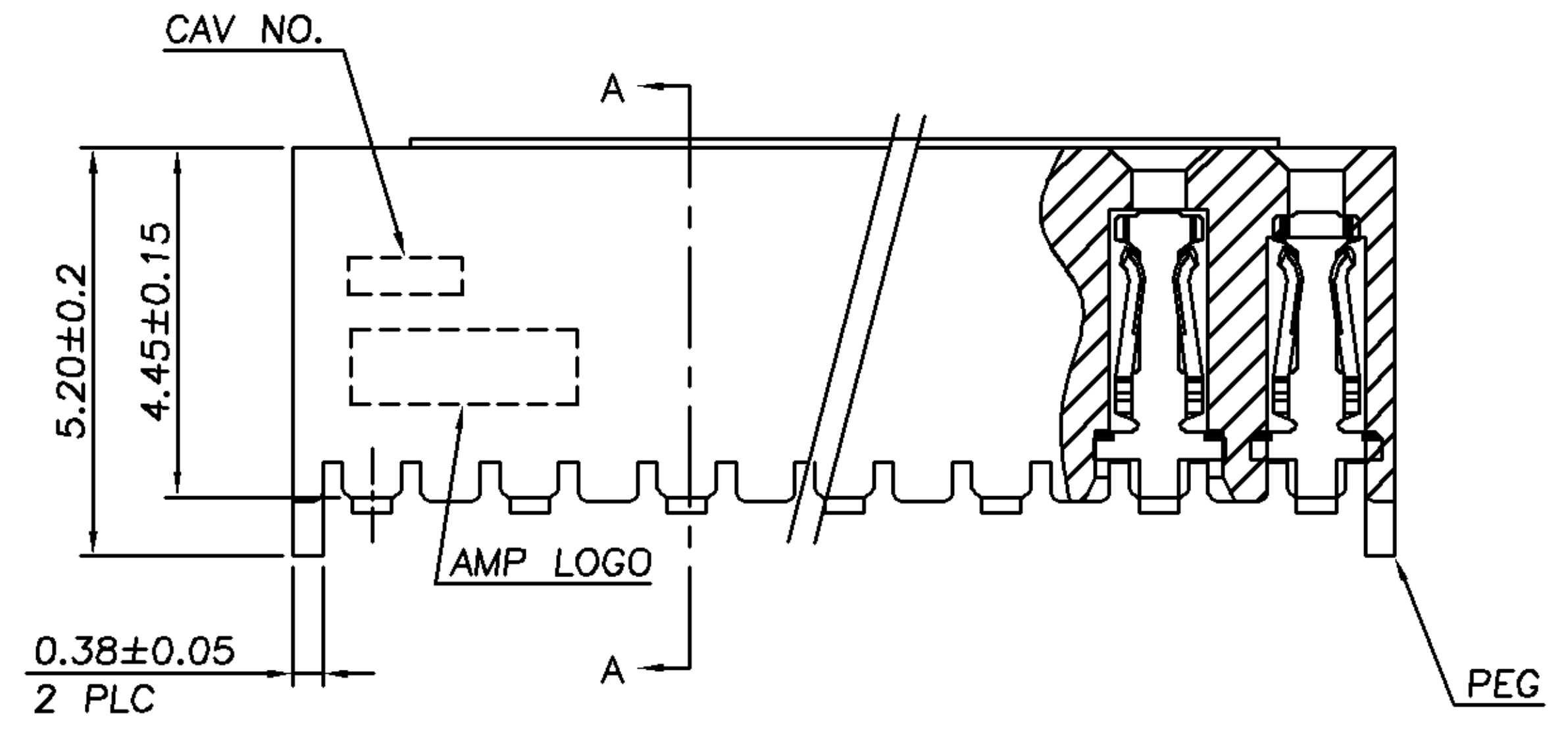
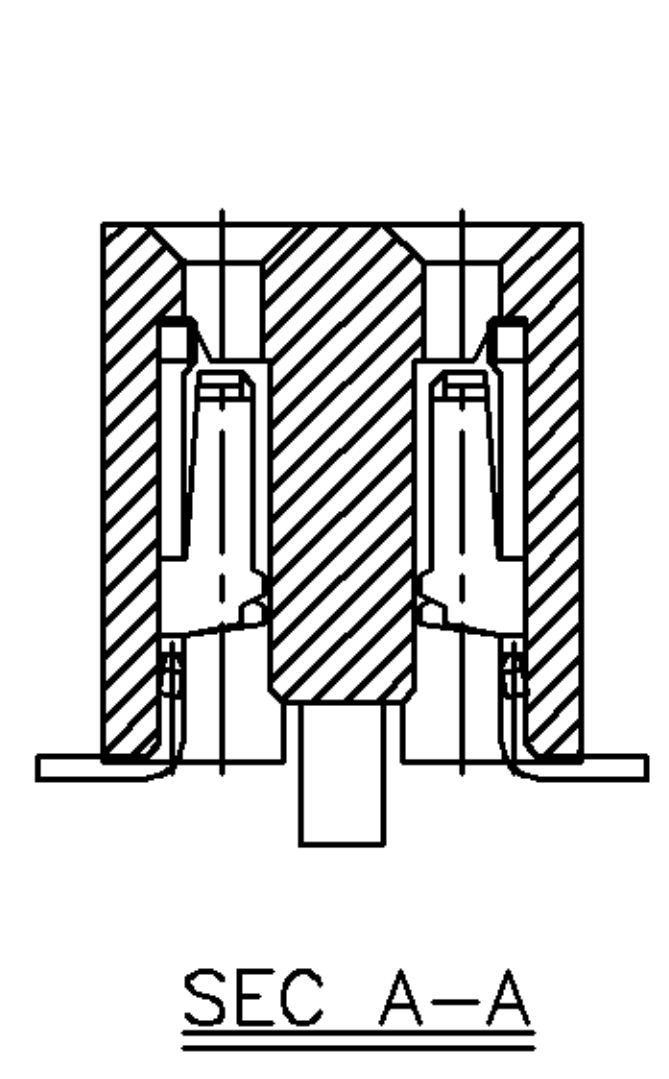
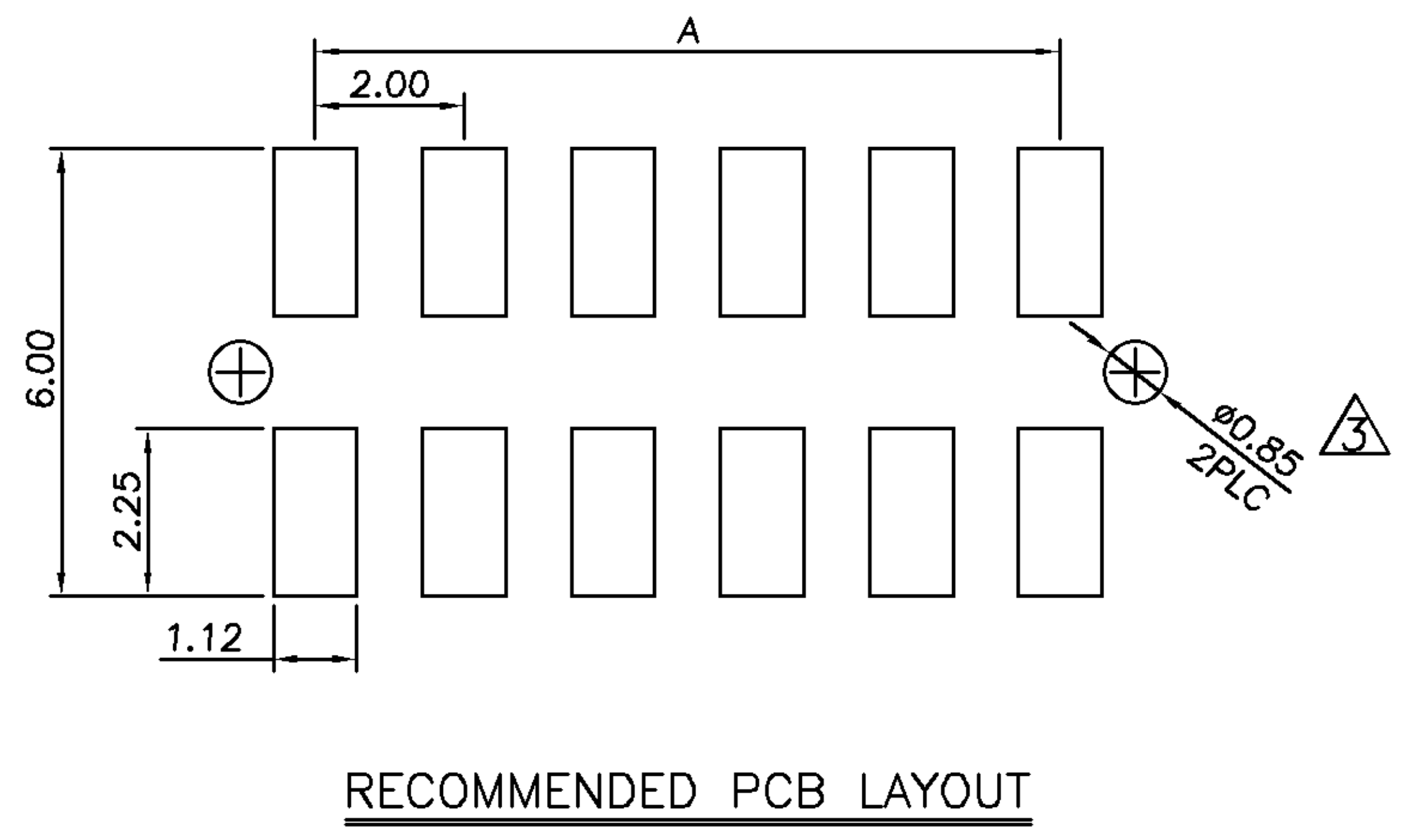
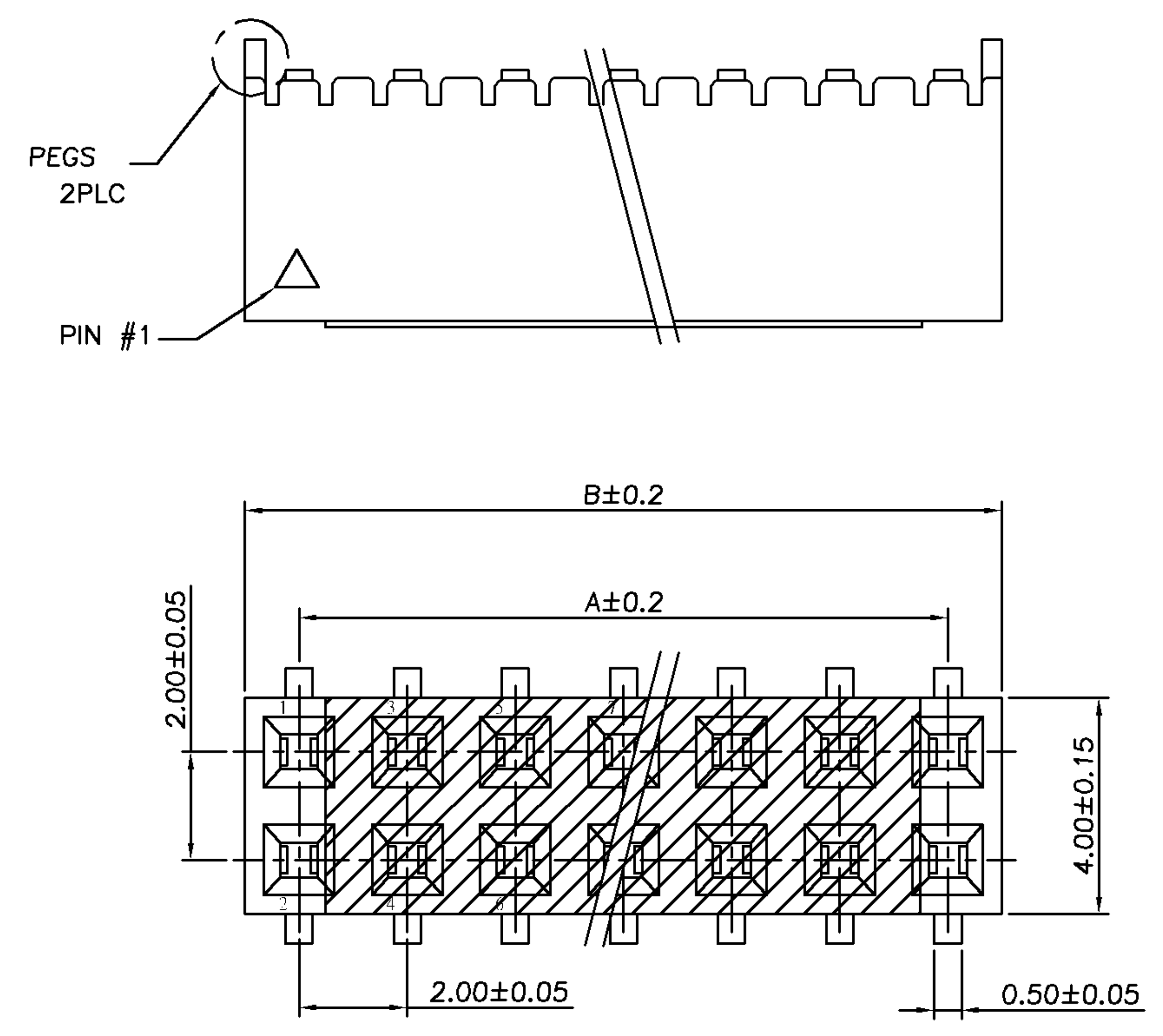
NUMBER
C-1734516



METRIC

THIS INFORMATION IS CONFIDENTIAL AND IS DISCLOSED TO YOU ON CONDITION THAT NO FURTHER DISCLOSURE IS MADE BY YOU TO OTHER THAN AMP PERSONNEL WITHOUT WRITTEN AUTHORIZATION FROM AMP (TAIWAN) LTD. DIMENSIONS IN MILLIMETERS. DO NOT SCALE PRINT.

PRINT
DW



- NOTE :
- MATERIAL :
HOUSING : THERMOPLASTIC, UL94V-0, BLACK COLOR.
CONTACT : PHOSPHOR BRASS, THICKNESS=0.20MM.
 - FINISH :
30μ" MIN. GOLD PLATED ON CONTACT AREA
100μ" MIN. MATTE TIN PLATED ON SOLDER TAIL,
50μ" MIN. NICKEL UNDERPLATED OVER ALL.
 - ONLY APPLIES TO
P/Ns. : 0-1734516-8 ~ 4-1734516-0
 - REFLOW SOLDER CAPABLE TO 245°C PER TYCO SPEC 109-201, CONDITION A.

A	FIRST RELEASED		OH	10APR
LTR	REVISION RECORD	ECN	SH	2006
			DWN	DATE
			CHK	

TOLERANCES UNLESS OTHERWISE SPECIFIED: 0 PLC ± 1 PLC ±0.20 2 PLC ±0.10 3 PLC ±0.05 ANGLES ±3'	DWN O. HU 07-APR-2006
MATERIAL SEE NOTE	CHK S. HOU 07-APR-2006
FINISH SEE NOTE	APVD W.J. KE 07-APR-2006
	PRODUCT SPEC 108-57197
	QUALIFICATION TEST REPORT 501-57197
	WEIGHT

NO, SEE VIEWS 2a, 2b	38.00	40.00	40	9-1734516-0
	36.00	38.00	38	8-1734516-8
	34.00	36.00	36	8-1734516-6
	32.00	34.00	34	8-1734516-4
	30.00	32.00	32	8-1734516-2
	28.00	30.00	30	8-1734516-0
	26.00	28.00	28	7-1734516-8
	24.00	26.00	26	7-1734516-6
	22.00	24.00	24	7-1734516-4
	20.00	22.00	22	7-1734516-2
	18.00	20.00	20	7-1734516-0
	16.00	18.00	18	6-1734516-8
	14.00	16.00	16	6-1734516-6
	12.00	14.00	14	6-1734516-4
	10.00	12.00	12	6-1734516-2
8.00	10.00	10	6-1734516-0	
6.00	8.00	8	5-1734516-8	
YES, SEE VIEWS 1a, 1b	38.00	40.00	40	4-1734516-0
	36.00	38.00	38	3-1734516-8
	34.00	36.00	36	3-1734516-6
	32.00	34.00	34	3-1734516-4
	30.00	32.00	32	3-1734516-2
	28.00	30.00	30	3-1734516-0
	26.00	28.00	28	2-1734516-8
	24.00	26.00	26	2-1734516-6
	22.00	24.00	24	2-1734516-4
	20.00	22.00	22	2-1734516-2
	18.00	20.00	20	2-1734516-0
	16.00	18.00	18	1-1734516-8
	14.00	16.00	16	1-1734516-6
	12.00	14.00	14	1-1734516-4
	10.00	12.00	12	1-1734516-2
8.00	10.00	10	1-1734516-0	
6.00	8.00	8	0-1734516-8	
ALIGNMENT PEGS	A	B	No. of Contacts	PART NUMBER

tyco TYCO HOLDINGS (BERMUDA) VII LTD. TAIWAN BRANCH
Electronics

NAME
AMPMODU 2.0MM PITCH, REC CONN, SMT, VERTICAL MOUNT

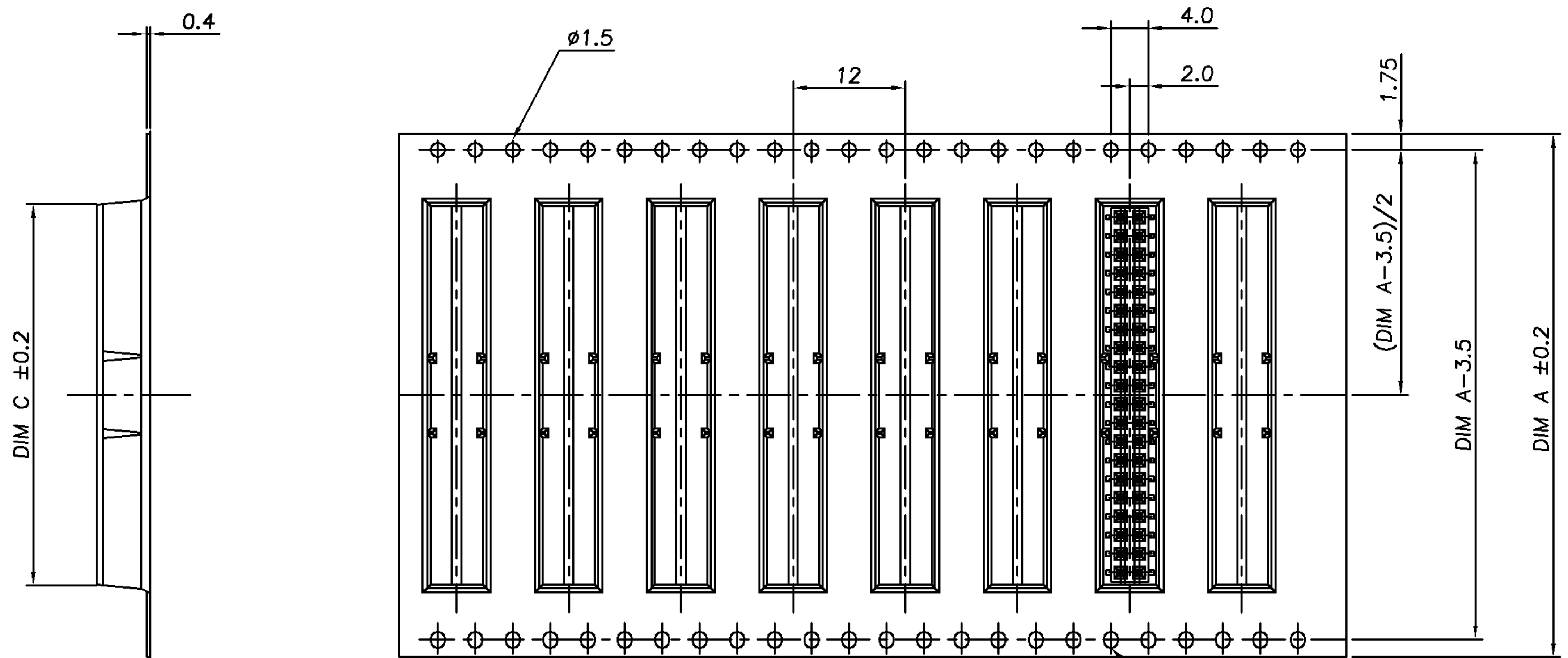
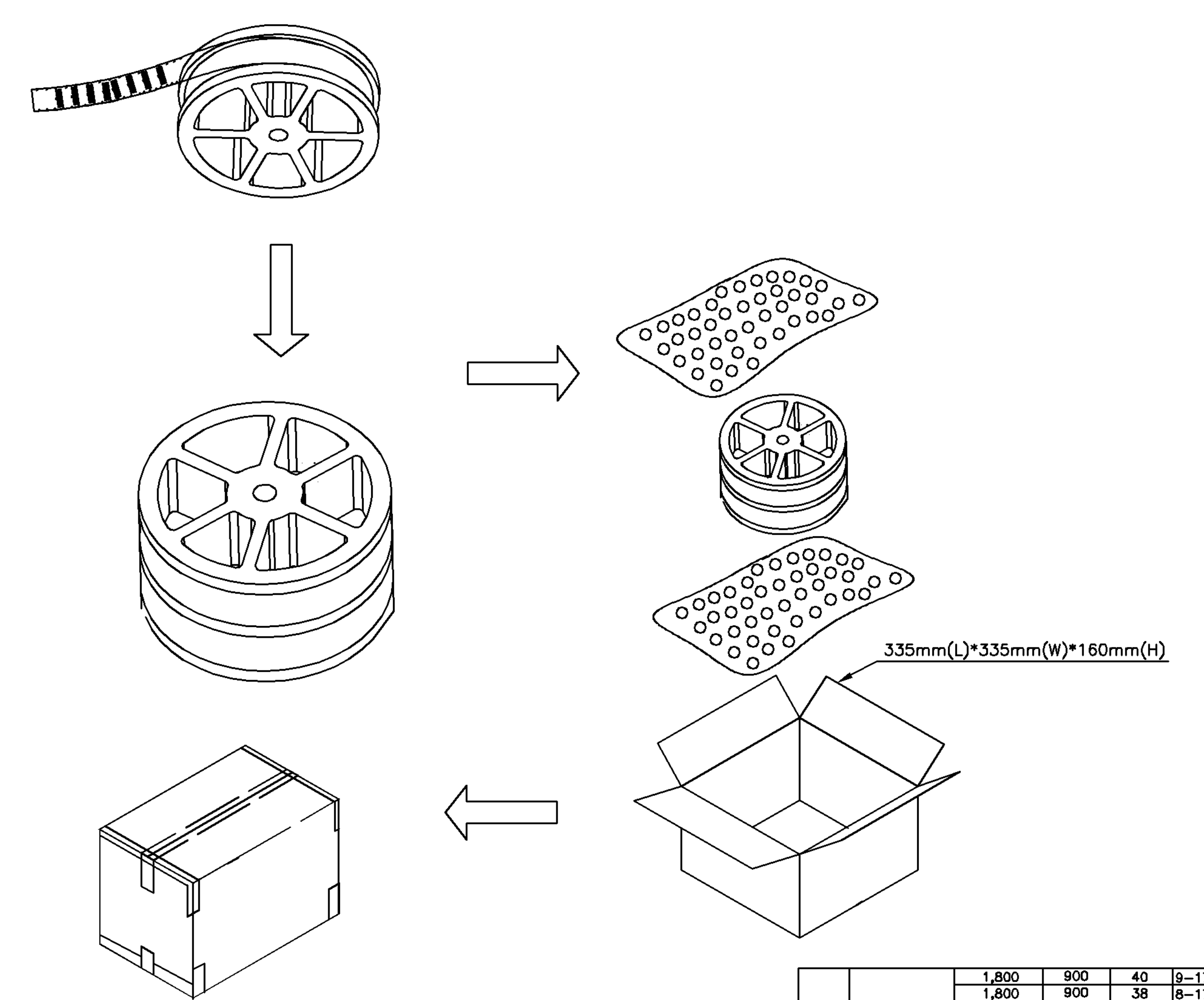
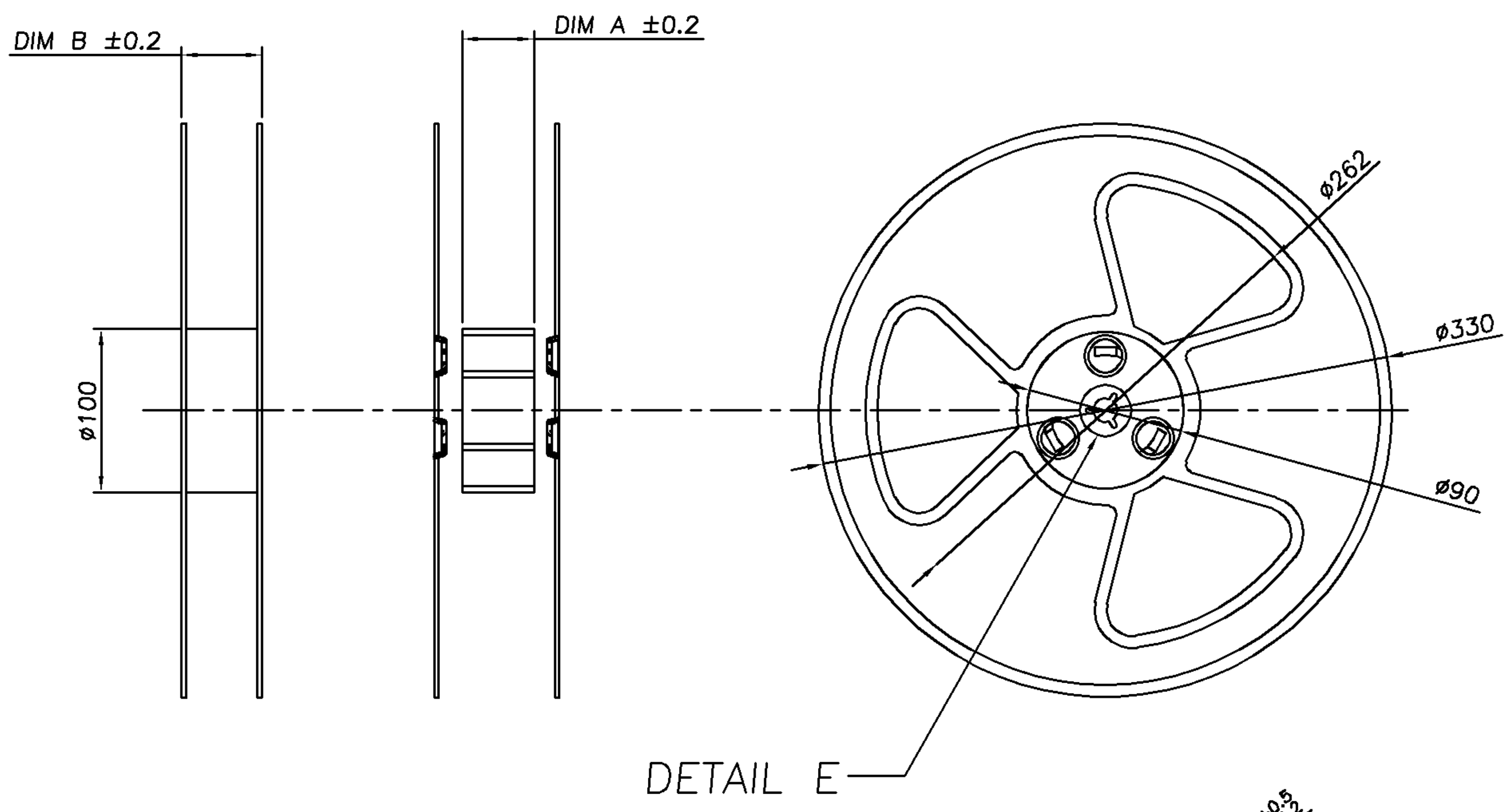
LOC DW A₃ SIZE A₃ DRAWING NO C-1734516 REV A

SCALE -- SHEET 1 OF 2

CUSTOMER DRAWING

THIS INFORMATION IS CONFIDENTIAL AND IS DISCLOSED TO YOU ON CONDITION THAT NO FURTHER DISCLOSURE IS MADE BY YOU TO OTHER THAN AMP PERSONNEL WITHOUT WRITTEN AUTHORIZATION FROM AMP (TAIWAN) LTD. DIMENSIONS IN MILLIMETERS. DO NOT SCALE PRINT.

NUMBER C-1734516
METRIC
3RD ANGLE PROJECTION



DIM B	DIM A (REEL WIDTH)	PCS/CARTON	PCS/REEL	No. of Contacts	PART NO.		
61	56	1,800	900	40	9-1734516-0		
		1,800	900	38	8-1734516-8		
		1,800	900	36	8-1734516-6		
		1,800	900	34	8-1734516-4		
		1,800	900	32	8-1734516-2		
		1,800	900	30	8-1734516-0		
		1,800	900	28	7-1734516-8		
		1,800	900	26	7-1734516-6		
		2,700	900	24	7-1734516-4		
		2,700	900	22	7-1734516-2		
		2,700	900	20	7-1734516-0		
		2,700	900	18	6-1734516-8		
49	44	2,700	900	16	6-1734516-6		
		4,500	900	14	6-1734516-4		
		4,500	900	12	6-1734516-2		
		4,500	900	10	6-1734516-0		
		4,500	900	8	5-1734516-8		
		29	24	1,800	900	40	4-1734516-0
				1,800	900	38	3-1734516-8
				1,800	900	36	3-1734516-6
				1,800	900	34	3-1734516-4
				1,800	900	32	3-1734516-2
				1,800	900	30	3-1734516-0
				1,800	900	28	2-1734516-8
1,800	900			26	2-1734516-6		
2,700	900			24	2-1734516-4		
2,700	900			22	2-1734516-2		
2,700	900			20	2-1734516-0		
2,700	900			18	1-1734516-8		
61	56	2,700	900	16	1-1734516-6		
		4,500	900	14	1-1734516-4		
		4,500	900	12	1-1734516-2		
		4,500	900	10	1-1734516-0		
		4,500	900	8	0-1734516-8		

TOLERANCES UNLESS OTHERWISE SPECIFIED: 0 PLC ± 1 PLC ± 2 PLC ± 3 PLC ± ANGLES ±	DWN O. HU 07-APR-2006 CHK S. HOU 07-APR-2006	tyco TYCO HOLDINGS (BERMUDA) Electronics VII LTD. TAIWAN BRANCH NAME AMPMODU 2.0MM PITCH, REC CONN, SMT, VERTICAL MOUNT		
MATERIAL SEE NOTE	APVD W.J. KE 07-APR-2006 PRODUCT SPEC --	LOC DW	SIZE A ₃	DRAWING NO C-1734516
FINISH SEE NOTE	QUALIFICATION TEST REPORT -- WEIGHT	SCALE	SHEET	REV A
		2 OF 2		

LTR	SEE SHEET 1.	ECN	DWN	CHK	DATE
	REVISION RECORD				